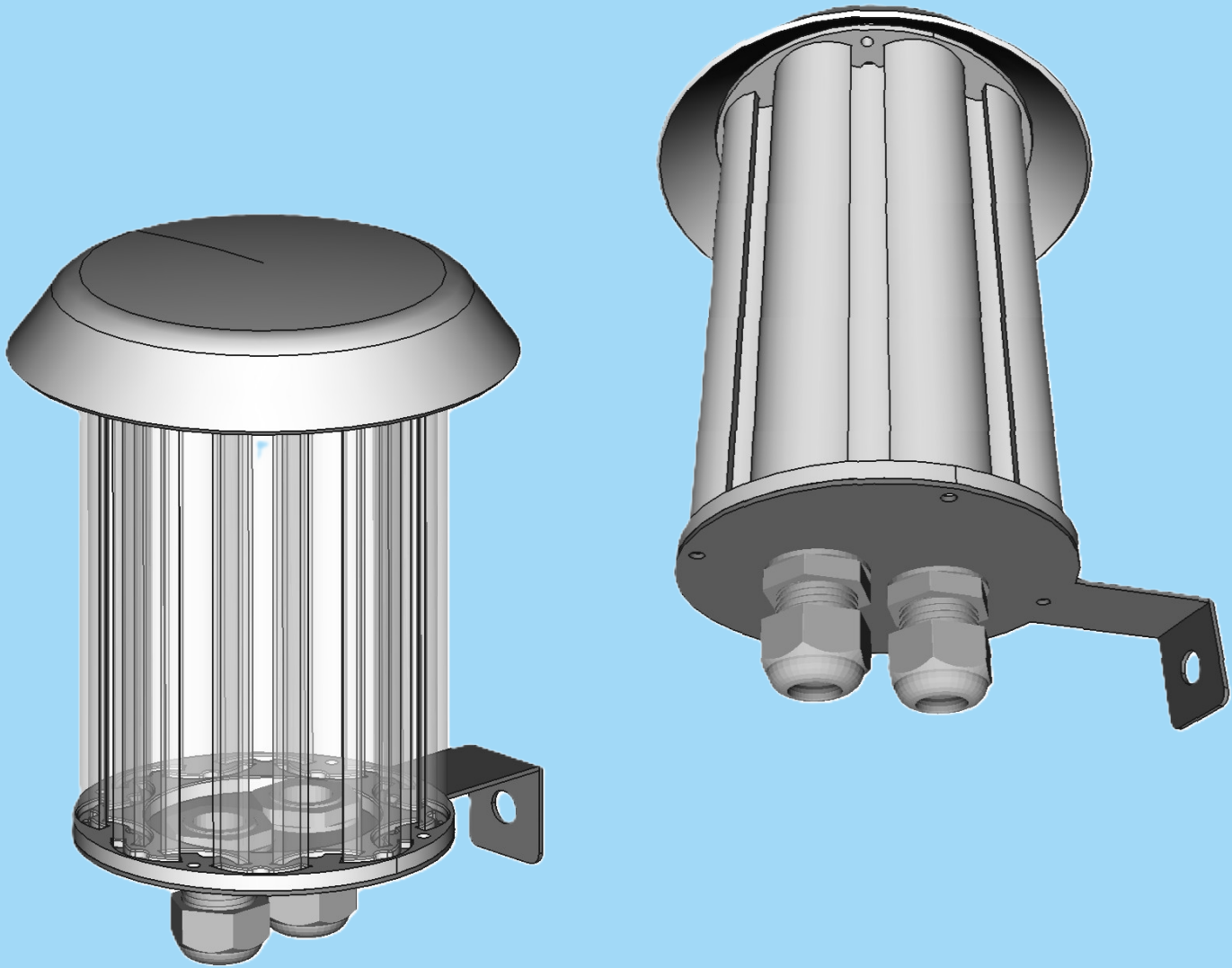


Radiation Shield

system
MPS
Since 1992



The RS - Radiation Shield is an innovative solution specifically designed to protect meteorological sensors from the effects of solar radiation, ensuring highly accurate and reliable measurements in a variety of outdoor environments. Its cutting-edge design and materials make it an indispensable tool for professionals in meteorology, environmental monitoring, and related fields.

Application:

- Weather stations
- Environmental monitoring systems
- Climate research projects
- Agricultural and industrial meteorology

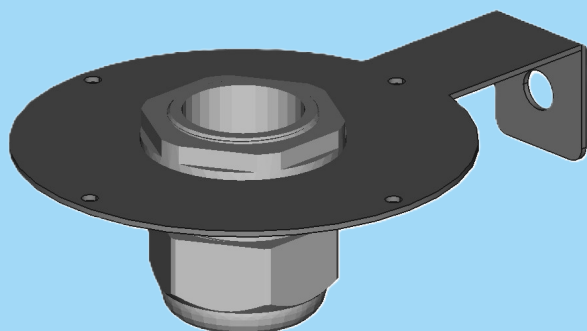
Key features:

- High Resistance to Solar Radiation
- Low Thermal Inertia for Precision Measurements
- Vertical Slat Design for Optimal Air Exchange
- Reliable in Challenging Conditions

Sensor Series

TECHNICAL SPECIFICATION	RS
Operating temperature	- 30 ÷ 70 °C
Operating humidity	0 ÷ 100 %
Protection rating	IP 65
Material	UV stabilised ASA, Stainless steel
Probe diameter (Holder 2 x PG16)	2x Ø 9 ÷ 14 mm
Probe diameter (Holder 1 x PG29)	1x Ø 17 ÷ 25 mm
Dimensions	Ø 155 × 210 mm
Fixing hole	M8
Weight	0.4 kg

Holder 1x PG29



Holder 2x PG16

