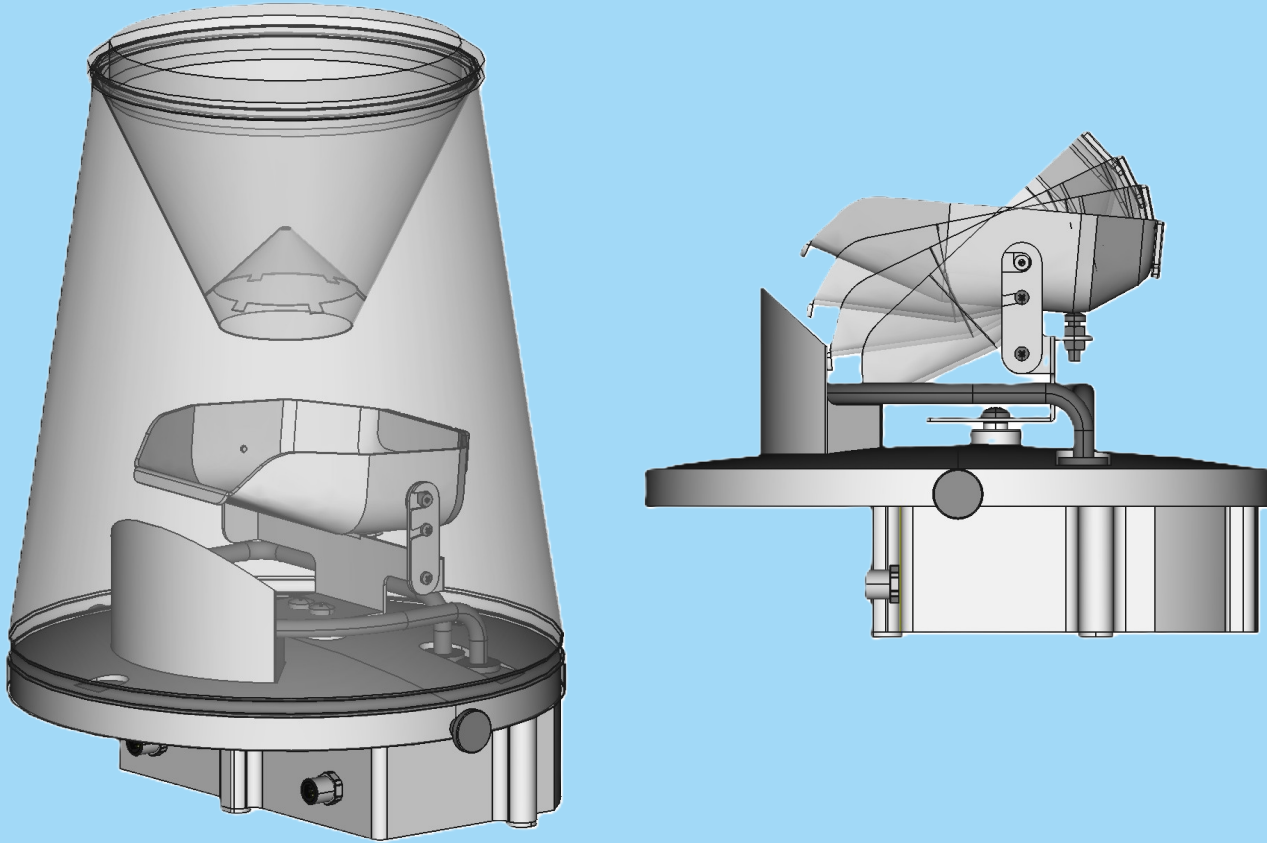


TRWS_E

Rain gauge, Self-emptying bucket

system
MPS
Since 1992

The world's most innovative rain gauge !



Featuring an innovative mechanical and electronic design, the TRWS is an exceptional Instrument for measuring all types of precipitation across a wide temperature range, even under extreme wind and snow conditions. Known for its exceptional sensitivity and precision, the TRWS rain gauge combines robust mechanical construction with sophisticated firmware to ensure optimal accuracy and reliability. It is available with orifice size of 200, 314 & 400 cm².

Application:

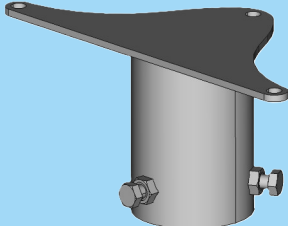
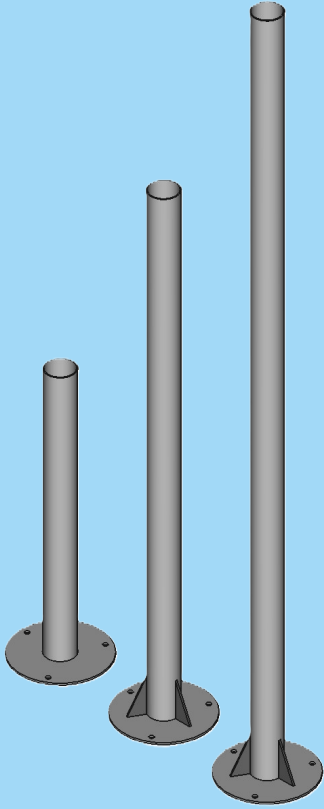
- Meteorology
- Climatology
- Hydrology
- Urban infrastructure
- Aviation
- Agriculture

Key features:

- Maintenance-free, unlimited rain intensity capacity
- No power needed for emptying
- Emptying time of less than 1 second
- Elimination of wind vibration, particles, evaporation, temperature fluctuation
- Output signals: contact, RS-485, SDI-12, ModBus
- Ultra low power consumption
- Evaluation and accuracy check in situ
- Local and remote diagnostics
- Autodiagnostic and self check

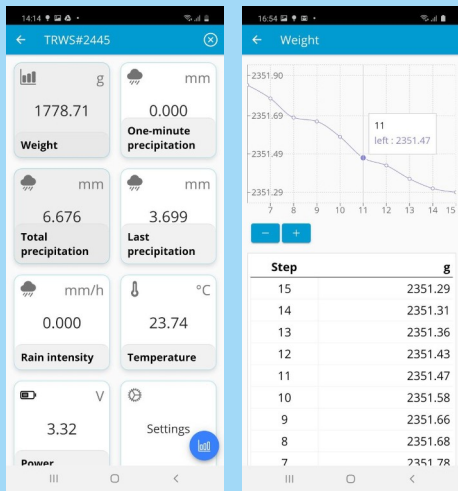
Total Rain Weighing Sensor Series

TECHNICAL SPECIFICATION	TRWS_E.200 / 314 / 400
Orifice size	200 / 314 / 400 cm ²
Range of precipitation	Unlimited
Maximum rain intensity	120 mm / min.
Rain duration	sec.
Accuracy of intensity	0.025 mm / min.
Absolute accuracy	± 0.1 %
Resolution	0.001 mm
Measuring element	Aluminium alloy load cell
Operating temperature	-10 ÷ 70 °C
Operating humidity	0 ÷ 100 %
Protection rating	IP 65
Dimensions	∅ 255 × 350 / 390 / 410 mm
Weight	11 kg
Power supply	8-28 VDC / 7 mA average
Heating supply (Mode OFF/ON/Threshold)	12 W / 12 V, 48 W / 24 V
Output contact (1 / 0.1 / 0.01mm)	U _{max.} 30 V, I _{max.} 300 mA
Serial output	RS-485 / SDI-12 / ModBus



OPTIONAL	
Ambient air temperature	PT 1000
Wind Shield	Tretyakov
Stand 1/1.5/2 m, Mounting adapter	

MPS AiO BLUETOOTH APPLICATION



Scan for nearby compatible sensors. Display current measurements. Display short-term measurement history in grafical and tabular form. Change sensor settings. Upload firmware.



Web application for Windows:
<https://app.mps-system.sk/main>

